

HC-ADV-B06-HHWH-1STM25-MF-BK - Housing



1420898

<https://www.phoenixcontact.com/pc/products/1420898>

Please be informed that the data shown in this PDF document is generated from our online catalog. Please find the complete data in the user documentation. Our general terms of use for downloads are valid.



Sleeve housing B6, with screw locking, material: Die-cast aluminum, salt water resistant, cable outlets: 1, lateral, 1x M25, height: 93.7 mm, cable gland: none, increased environmental requirements

Commercial data

Item number	1420898
Packing unit	1 pc
Minimum order quantity	1 pc
Product key	BF7API
Catalog page	Page 597 (C-2-2019)
GTIN	4055626247977
Weight per piece (including packing)	253.4 g
Weight per piece (excluding packing)	253 g
Customs tariff number	85389099
Country of origin	CN

1420898

<https://www.phoenixcontact.com/pc/products/1420898>

Technical data

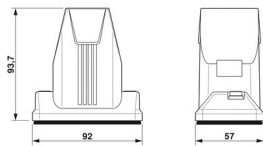
Notes

General	For contact inserts HC-B6, BB10, DD24, M
---------	--

Product properties

Type	B6
Product type	Housing with screw locking
Application	increased environmental requirements
No. of cable outlets	1
Type of the screw connection	1x M25
Fixing screws	M6 (screw head: 5 mm Allen screw)
Housing type	Sleeve housing
Shielded	no
Cable outlet	lateral
Pg screw connection	none

Dimensions

Dimensional drawing	
Width	57 mm
Height	93.7 mm
Length	92 mm

Installation dimensions

Width of the assembly cutout	35 mm
Length of the assembly cutout	52 mm

Material specifications

Seal material	Viton
Housing surface material	Powder-coated, black
Locking latch material	Stainless steel
Impact strength	IK09
Housing material	Die-cast aluminum, salt water resistant

Environmental and real-life conditions

Ambient conditions

Degree of protection	IP66
	IP68 (0.2 bar/24 h)
	IP69 (ISO 20653:2013-02)

HC-ADV-B06-HHWH-1STM25-MF-BK - Housing



1420898

<https://www.phoenixcontact.com/pc/products/1420898>

Enclosure rating (NEMA)	4 (UL 50e)
	4X (UL 50e)
	12 (UL 50e)
Impact strength	IK09
Ambient temperature (operation)	-40 °C ... 125 °C

Mechanical properties

Mechanical data

Type of the screw connection	1x M25
Locking type	Screw

Mounting

Fixing screws	M6 (screw head: 5 mm Allen screw)
---------------	-----------------------------------

1420898

<https://www.phoenixcontact.com/pc/products/1420898>

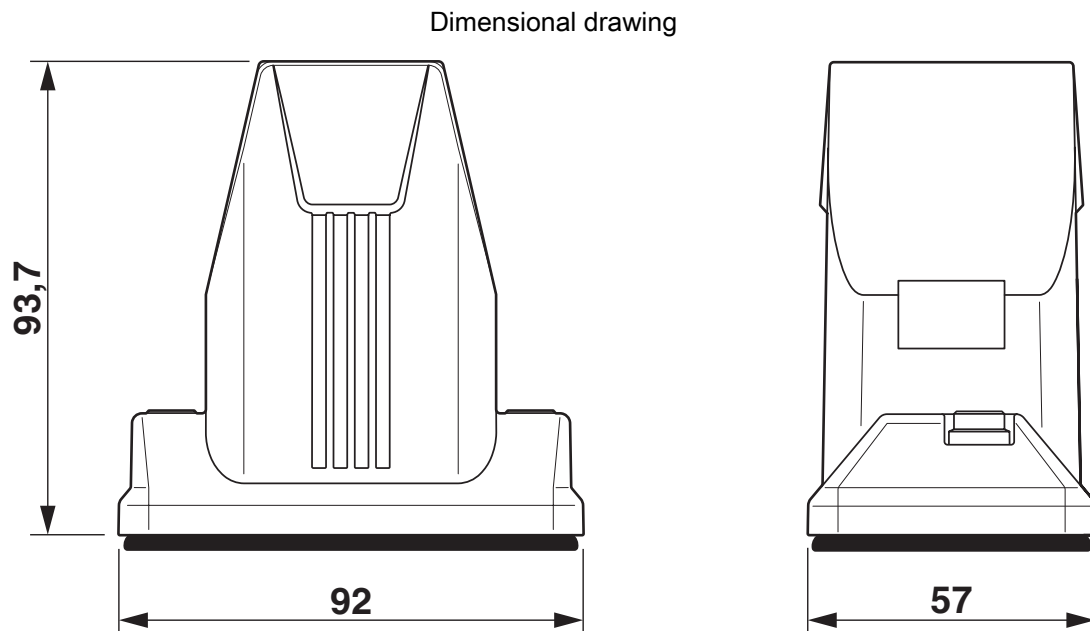
Drawings



Mounting cutout

1) when M4 screws are used

2) when self-tapping Torx® screws are used (Torx® 20, M4)



Dimensional drawing

1420898

<https://www.phoenixcontact.com/pc/products/1420898>

Approvals

To download certificates, visit the product detail page: <https://www.phoenixcontact.com/pc/products/1420898>

DNV

Approval ID: TAE000037S



cUL Recognized

Approval ID: E255026



UL Recognized

Approval ID: E255026



EAC

Approval ID: RU C-DE.AI30.B.01102



EAC

Approval ID: RU C-DE.BL08.B.00511

cULus Recognized

1420898

<https://www.phoenixcontact.com/pc/products/1420898>

Classifications

ECLASS

ECLASS-11.0	27440202
ECLASS-12.0	27440202
ECLASS-13.0	27440202

ETIM

ETIM 8.0	EC000437
----------	----------

UNSPSC

UNSPSC 21.0	31261500
-------------	----------

1420898

<https://www.phoenixcontact.com/pc/products/1420898>

Environmental product compliance

China RoHS	Environmentally friendly use period: unlimited = EFUP-e
	No hazardous substances above threshold values

HC-ADV-B06-HHWH-1STM25-MF-BK - Housing

1420898

<https://www.phoenixcontact.com/pc/products/1420898>

Accessories

HC-B-AF - Panel-mount flange

1686533

<https://www.phoenixcontact.com/pc/products/1686533>

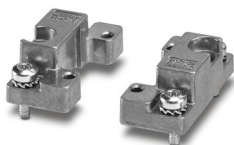


Panel-mount flange for HEAVYCON ADVANCE housing

HC-B-AF-SET - Panel-mount flange

1604638

<https://www.phoenixcontact.com/pc/products/1604638>



Panel-mount flange for HEAVYCON ADVANCE housing, set consisting of: 2 panel-mount flanges with 4 self-tapping screws (M4, Torx[®]) and 4 fan-type washers

HC-ADV-B06-HHWH-1STM25-MF-BK - Housing

1420898

<https://www.phoenixcontact.com/pc/products/1420898>



HC-B 6-TMS-SD-IP50 - Protective cover

1690736

<https://www.phoenixcontact.com/pc/products/1690736>



Protective cover B6, Clip locking, protective cover material: PA, height: 31.2 mm, seal: no, with lanyard

HC-K-KV-M25(11-17) - Cable gland

1690639

<https://www.phoenixcontact.com/pc/products/1690639>



Plastic screw connection up to 5 bar, thread length: 8 mm, cable diameter: 11 - 17 mm, WAF 29, screw connection: M25

HC-ADV-B06-HHWH-1STM25-MF-BK - Housing

1420898

<https://www.phoenixcontact.com/pc/products/1420898>

HC-M-KV-M25(14-21) - Cable gland

1646007

<https://www.phoenixcontact.com/pc/products/1646007>



Metal screw connection up to 5 bar, thread length: 7 mm, cable diameter: 14 - 21 mm, WAF 34, screw connection: M25

HC-EMV-KV-M25(9-16,5) - Cable gland

1690516

<https://www.phoenixcontact.com/pc/products/1690516>



EMC screw connection up to 5 bar, thread length: 7.5 mm, cable diameter: 9.0 - 16.5 mm, WAF 29, screw connection: M25

HC-ADV-B06-HHWH-1STM25-MF-BK - Housing

1420898

<https://www.phoenixcontact.com/pc/products/1420898>



HC-M-KV-M25(1ASI) - Cable gland

1584020

<https://www.phoenixcontact.com/pc/products/1584020>



Metal screw connection for an AS-Interface flat-ribbon conductor, thread type M25

HC-M-KV-M25(1X10/1X11) - Cable gland

1580228

<https://www.phoenixcontact.com/pc/products/1580228>



Special cable screw connection M25, brass nickel-plated, grommet with 10 mm and 11 mm holes

HC-ADV-B06-HHWH-1STM25-MF-BK - Housing



1420898

<https://www.phoenixcontact.com/pc/products/1420898>

G-INS-M25-M68N-NNES-S - Cable gland

1411165

<https://www.phoenixcontact.com/pc/products/1411165>



Cable gland, material for screw connection: Brass, nickel-plated, external cable diameter 11 mm ... 17 mm, shielding: no, connecting thread: M25 x 1.5, color: silver, with O-ring

US-EMLP-HA (20X9) - Plastic label

0830989

<https://www.phoenixcontact.com/pc/products/0830989>



Plastic label, Card, white, unlabeled, can be labeled with: BLUEMARK ID COLOR, BLUEMARK ID, THERMOMARK PRIME, THERMOMARK CARD 2.0, THERMOMARK CARD, mounting type: adhesive, lettering field size: 20 x 9 mm, Number of individual labels: 70

HC-ADV-B06-HHWH-1STM25-MF-BK - Housing

1420898

<https://www.phoenixcontact.com/pc/products/1420898>



US-EMLP-HA (20X9) CUS - Plastic label

0830995

<https://www.phoenixcontact.com/pc/products/0830995>

Plastic label, Card, white, labeled, can be labeled with: THERMOMARK CARD, mounting type: adhesive, lettering field size: 20 x 9 mm, Number of individual labels: 70



WP-G HF IP66 M25 BK - Screw connection

3240899

<https://www.phoenixcontact.com/pc/products/3240899>

Cable gland, metric thread, IP66 protection, straight



HC-ADV-B06-HHWH-1STM25-MF-BK - Housing

1420898

<https://www.phoenixcontact.com/pc/products/1420898>



WP-G HF IP69K M25 BK - Screw connection

3240885

<https://www.phoenixcontact.com/pc/products/3240885>



Cable gland, metric thread, IP68/69k protection, straight

WP-GA HF IP66 M25 BK - Screw connection

3240927

<https://www.phoenixcontact.com/pc/products/3240927>



Cable gland, metric thread, IP66 protection, angled

HC-ADV-B06-HHWH-1STM25-MF-BK - Housing

1420898

<https://www.phoenixcontact.com/pc/products/1420898>



WP-GA HF IP69K M25 BK - Screw connection

3240913

<https://www.phoenixcontact.com/pc/products/3240913>

Cable gland, metric thread, IP68/69k protection, angled



WP-GR HF IP66 M25 BK - Screw connection

3240955

<https://www.phoenixcontact.com/pc/products/3240955>

Cable gland, metric thread, IP66 protection, with strain relief



HC-ADV-B06-HHWH-1STM25-MF-BK - Housing

1420898

<https://www.phoenixcontact.com/pc/products/1420898>



WP-GR HF IP69K M25 BK - Screw connection

3240941

<https://www.phoenixcontact.com/pc/products/3240941>



Cable gland, metric thread, IP68/69k protection, with strain relief

WP-G PP HF M25 - Screw connection

3240999

<https://www.phoenixcontact.com/pc/products/3240999>



Cable gland made from PP with metric thread, IP65 protection

HC-ADV-B06-HHWH-1STM25-MF-BK - Housing

1420898

<https://www.phoenixcontact.com/pc/products/1420898>

WP-GT PP HF M25 - Screw connection

3241013

<https://www.phoenixcontact.com/pc/products/3241013>



Cable gland made from PP with metric thread, rotatable, IP54 protection

WP-G BRASS IP40 M25 - Screw connection

3241048

<https://www.phoenixcontact.com/pc/products/3241048>



Cable gland made from brass with metric thread, IP40 protection

HC-ADV-B06-HHWH-1STM25-MF-BK - Housing

1420898

<https://www.phoenixcontact.com/pc/products/1420898>

WP-GT BRASS M25 - Screw connection

3241034

<https://www.phoenixcontact.com/pc/products/3241034>



Cable gland made from brass with metric thread, rotatable, IP40 protection

WP-G BRASS IP65 M25 - Screw connection

3241062

<https://www.phoenixcontact.com/pc/products/3241062>



Cable gland made from brass with metric thread, IP65 protection

HC-ADV-B06-HHWH-1STM25-MF-BK - Housing



1420898

<https://www.phoenixcontact.com/pc/products/1420898>

SF-BIT-HEXB 5-89 - Screw insert

1208911

<https://www.phoenixcontact.com/pc/products/1208911>



Screw bit, hexagonal with ball head, E6.3-1/4" drive, size: Hex 5 x 89 mm, hardened, suitable for holder according to DIN 3126-F 6.3/ISO 1173

SF-M BH - Screwdriver

1212070

<https://www.phoenixcontact.com/pc/products/1212070>



Bit screwdriver, with 1/4" quick-action chuck, handle length 119 mm, 2-component handle, with non-slip grip, suitable for bits according to DIN 3126-C 6.3 and E 6.3/ISO 1173, magnetic

Phoenix Contact 2023 © - all rights reserved
<https://www.phoenixcontact.com>

PHOENIX CONTACT GmbH & Co. KG
Flachsmarktstraße 8
D-32825 Blomberg
+49 (0) 5235-3 00
info@phoenixcontact.com