

## Spesifikasi Produk

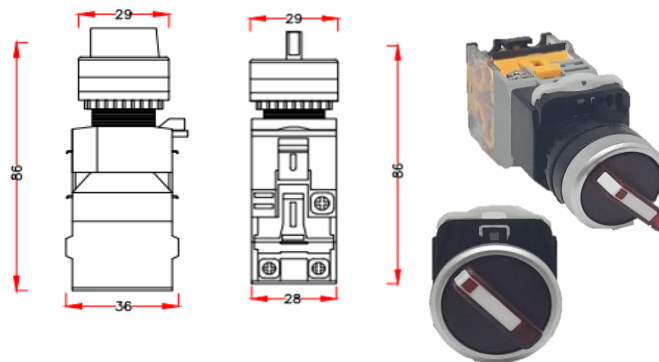
Product Datasheet

## LA22C-11XD

Selector Switch Led 22 mm - LA22C Series

### Gambar Produk

Product Picture



### Karakteristik Produk

Product Characteristics

Kategori Produk Product Category	Command Switch
Nama Produk Product Name	LA22C-11XD
Ukuran Instalasi (mm) Installation Size (mm)	22 mm
Fungsi Function	Selector Switch
Kontak Contact	1NO + 1NC
Indikator LED LED Indicator	Dengan LED With LED
Tipe Operasional Operational Type	Stay Put
Posisi Operasional Operational Position	2 Posisi
Ketahanan Mekanis Mechanical Life	> 3 x100000 time
Suhu Operasional Ambient Temperature	-25°C- 55°C
Proteksi Protection Degree	IP40 - 65
Standar Standard	IEC947-5-1
Warna Colour	Merah Red
Bahan Material	Plastik Plastic
Berat Bersih Net Weight	67 g

### Kemasan

Packing

Jenis Unit Kemasan 1 Unit Type in Package 1	Box
Jumlah Unit Kemasan 1 Unit Quantity in Package 1	10
Berat Kemasan 1 Package 1 Weight	670 g
Tinggi Kemasan 1 Package 1 Height	85 mm
Lebar Kemasan 1 Package 1 Width	150 mm
Panjang Kemasan 1 Package 1 Length	85 mm