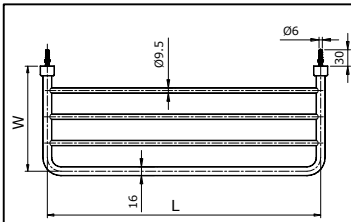
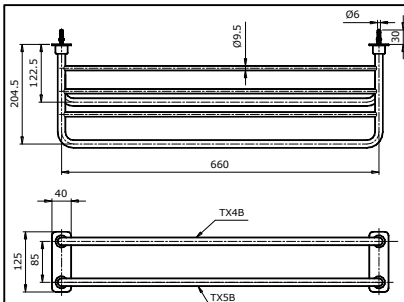


SPECIFICATIONS

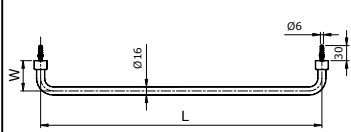


TYPE	L	W
TX 4A	500 mm	192 mm
TX 4B	660 mm	202 mm

TX 4A
Towel Shelf (L= 500 mm)
TX 4B
Towel Shelf (L= 660 mm)

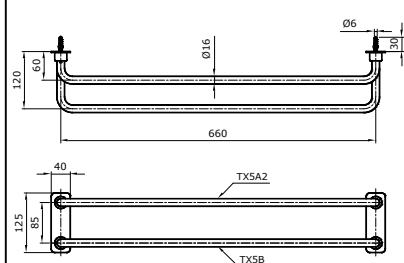


TX 4W
Combination Towel Shelf & Towel Bar (L= 660 mm)



TYPE	L	W
TX 5A1	558 mm	60 mm
TX 5A2	660 mm	60 mm
TX 5B	660 mm	120 mm

TX 5A1
Towel Bar (L= 558 mm)
TX 5A2
Towel Bar (L= 660 mm)
TX 5B
Towel Bar (L= 660 mm)



TX 5W
Double Towel Bar (L= 660 mm)

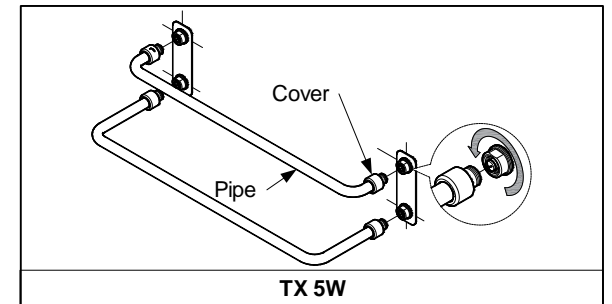
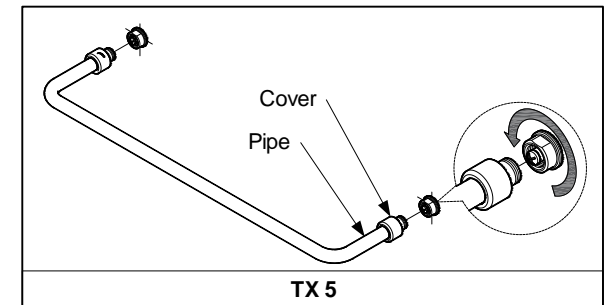
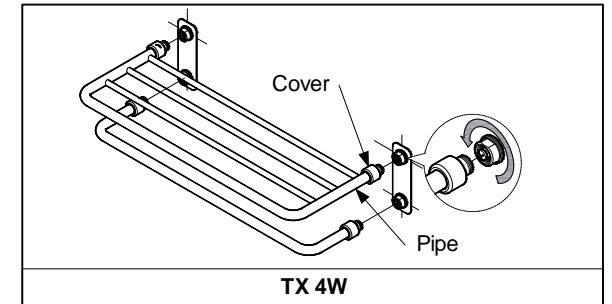
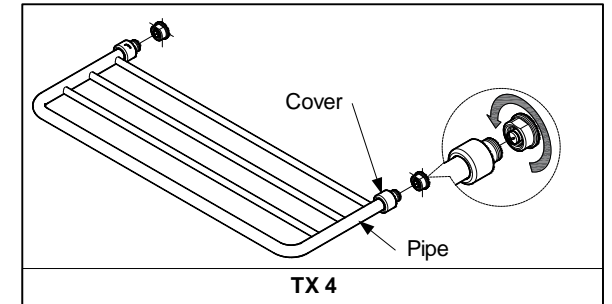
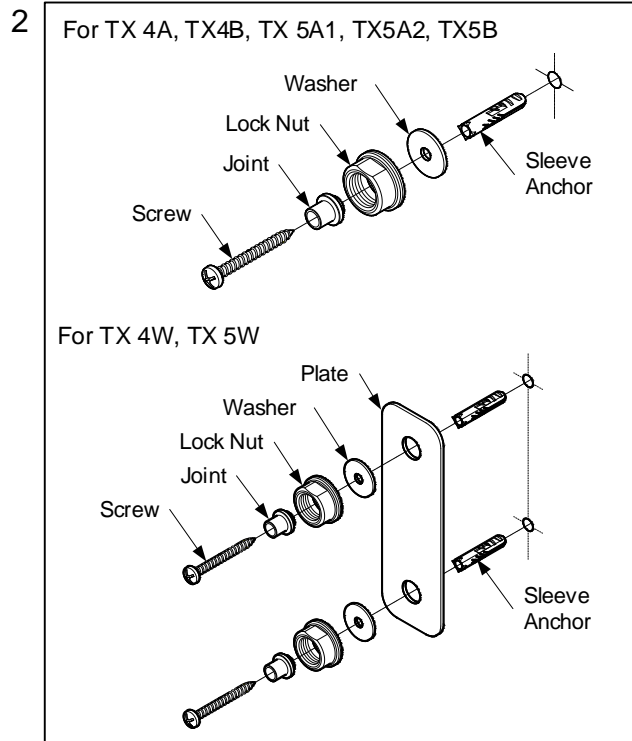
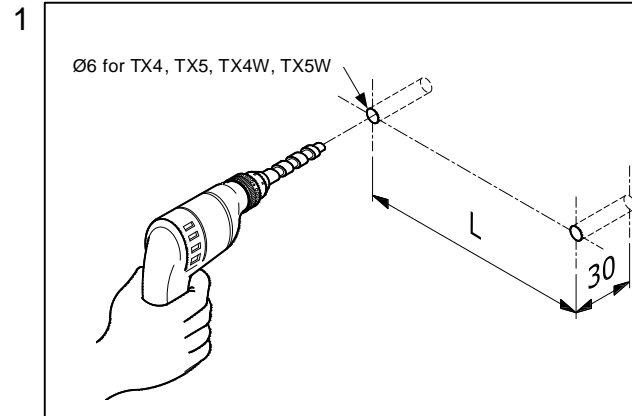
MAINTENANCE

All Finishes : Clean the finish with mild soap and warm water. Wipe entire surface completely dry with clean soft cloth. Many cleaners may contain chemicals, such as ammonia, chlorine, toilet cleaner etc. which could adversely affect the finish and are not recommended for cleaning

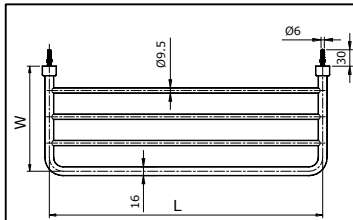
ATTENTION

1. Don't use abrasive cleaners or solvents on faucets and fittings.
2. As the product model is constantly updated, the actual product may not look the same as it shown in the diagram, but the basic installation principles are the same.

INSTALLATION

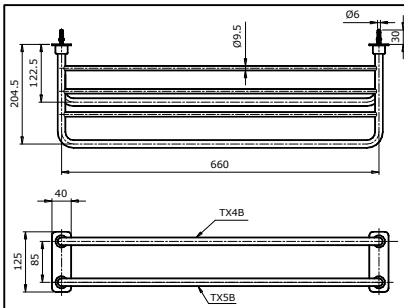


SPESIFIKASI

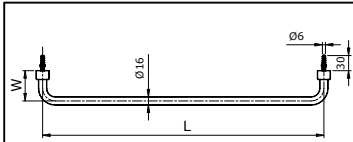


TYPE	L	W
TX 4A	500 mm	192 mm
TX 4B	660 mm	202 mm

TX 4A
Towel Shelf (L= 500 mm)
TX 4B
Towel Shelf (L= 660 mm)

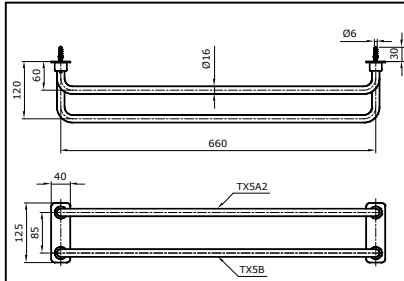


TX 4W
Combination Towel Shelf & Towel Bar (L= 660 mm)



TYPE	L	W
TX 5A1	558 mm	60 mm
TX 5A2	660 mm	60 mm
TX 5B	660 mm	120 mm

TX 5A1
Towel Bar (L= 558 mm)
TX 5A2
Towel Bar (L= 660 mm)
TX 5B
Towel Bar (L= 660 mm)



TX 5W
Double Towel Bar (L= 660 mm)

PEMELIHARAAN

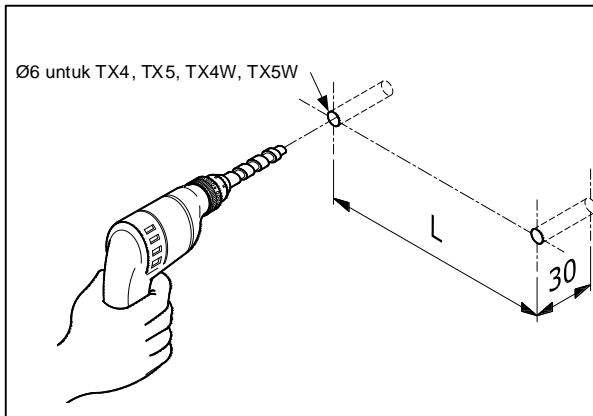
Seluruh lapisan : Bersihkan lapisan akhir dengan sabun lembut dan air hangat. Lap seluruh permukaan hingga benar-benar kering dengan kain lembut yang bersih. Kebanyakan bahan pembersih mungkin mengandung bahan kimia, seperti amonia, klorin, pembersih toilet, dll. yang dapat mempengaruhi hasil akhir dan tidak disarankan untuk dibersihkan

PERHATIAN

1. Jangan gunakan pembersih atau pelarut abrasif pada faucet dan fitting.
2. Karena model produk terus mengalami pembaharuan, aktual produk mungkin tidak sama dengan gambar, tapi prinsip dasar pemasangan adalah sama.

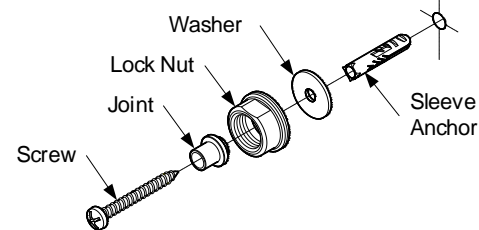
PEMASANGAN

1



2

Untuk TX 4A, TX4B, TX 5A1, TX5A2, TX5B



Untuk TX 4W, TX 5W

