

SL AT SW

Weidmüller Interface GmbH & Co. KG

Klingenbergstraße 26

D-32758 Detmold

Germany

www.weidmueller.com

Product image



Similar to illustration

No task is too small when creating the perfect solution. [br />](#)

Connections form just one part of the overall process. Small details are often the key to the perfect solution in applications where potentials are tested, grouped or even isolated.

A system is not a system without small but useful details:

- Test plugs - ensure reliable pick-up from diagnostic sockets
- Cross-connectors - ensure a stable electrical distribution contact directly at the connection
- Compartment partition elements - divide a large number of male connectors into several separate socket connector channels
- Locks and clips - optional vibration-resistant clip-on connection or mounting for male and female connectors

In tandem with the manufacturing process and application - more accessories = smaller workload

General ordering data

Version	PCB plug-in connector, Accessories, Spacer, black, Number of poles: 1
Order No.	1770240000
Type	SL AT SW
GTIN (EAN)	4032248117710
Qty.	100 pc(s).
Product data	
Packaging	Box

SL AT SW

Weidmüller Interface GmbH & Co. KG

Klingenbergstraße 26

D-32758 Detmold

Germany

www.weidmueller.com

Technical data

Dimensions and weights

Net weight	0.26 g
------------	--------

Temperatures

Operating temperature, min.	-50 °C	Operating temperature, max.	100 °C
-----------------------------	--------	-----------------------------	--------

Material data

Insulating material	PBT	Colour	black
Colour chart (similar)	RAL 9011	Storage temperature, min.	-40 °C
Storage temperature, max.	70 °C	Operating temperature, min.	-50 °C
Operating temperature, max.	100 °C	Temperature range, installation, min.	-25 °C
Temperature range, installation, max.	100 °C		

Rated data acc. to IEC

tested acc. to standard	IEC 60664-1, IEC 61984
-------------------------	------------------------

Packing

Packaging	Box	VPE length	89 mm
VPE width	59 mm	VPE height	10 mm

Classifications

ETIM 6.0	EC002943	ETIM 7.0	EC002943
ETIM 8.0	EC002943	ECLASS 9.0	27-44-04-92
ECLASS 9.1	27-44-04-92	ECLASS 10.0	27-44-04-92
ECLASS 11.0	27-46-04-07	ECLASS 12.0	27-46-04-07

Important note

IPC conformity	Conformity: The products are developed, manufactured and delivered according international recognized standards and norms and comply with the assured properties in the data sheet resp. fulfill decorative properties in accordance with IPC-A-610 "Class 2". Further claims on the products can be evaluated on request.
----------------	----------------------------------------------------------------------------------------------------------------------------------------------------------------------------------------------------------------------------------------------------------------------------------------------------------------------------

Notes	<ul style="list-style-type: none"> Long term storage of the product with average temperature of 50 °C and average humidity 70%, 36 months
-------	----------------------------------------------------------------------------------------------------------------------------------------------------------

Approvals

ROHS	Conform
------	---------

SL AT SW**Weidmüller Interface GmbH & Co. KG**

Klingenbergstraße 26

D-32758 Detmold

Germany

www.weidmueller.com

Technical data**Downloads**

Approval/Certificate/Document of Conformity	Declaration of the Manufacturer
Catalogues	Catalogues in PDF-format
Brochures	FL DRIVES EN MB DEVICE MANUF. EN FL DRIVES DE FL BUILDING SAFETY EN FL APPL LED LIGHTING EN FLIndustr.CONTROLS EN FL MACHINE SAFETY EN FL HEATING ELECTR EN FL APPL INVERTER EN FL_BASE_STATION_EN FL ELEVATOR EN FL POWER SUPPLY EN FL 72H SAMPLE SER EN PO OMNIMATE EN PO OMNIMATE EN

Data sheet

SL AT SW

Weidmüller Interface GmbH & Co. KG
Klingenbergstraße 26
D-32758 Detmold
Germany

www.weidmueller.com

Drawings

Example of use

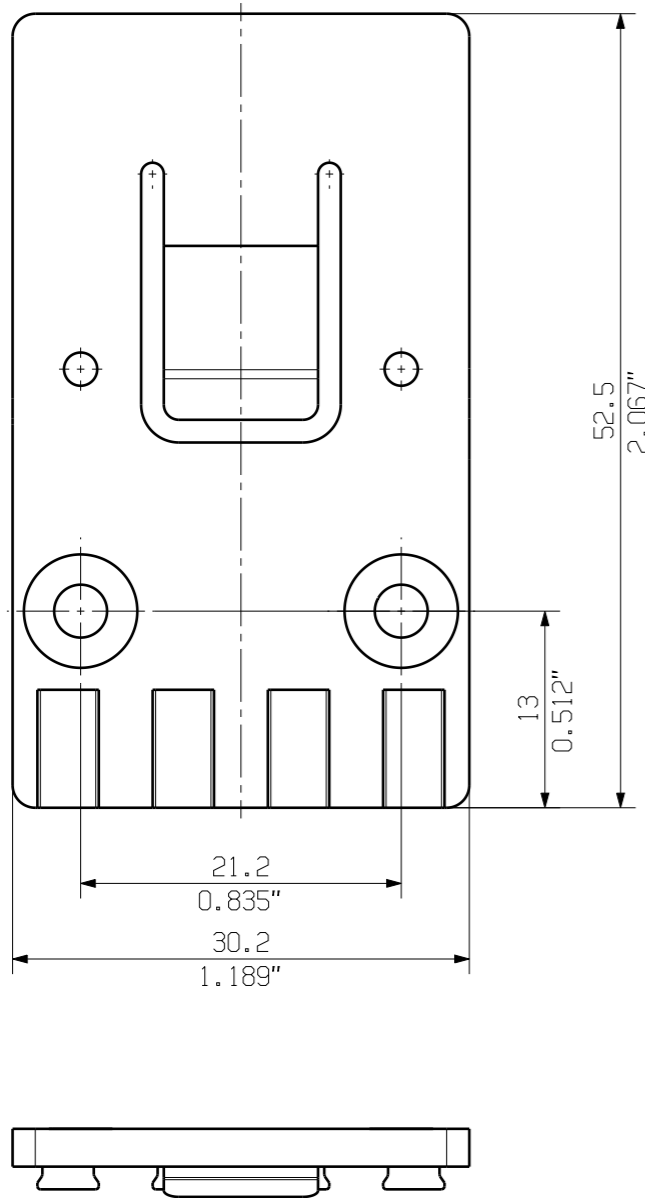


MASSE OHNE TOLERANZ SIND KEINE PRUEFMASSE
 DIMS. WITHOUT TOLERANCE ARE NOT CONTROL DIMS.

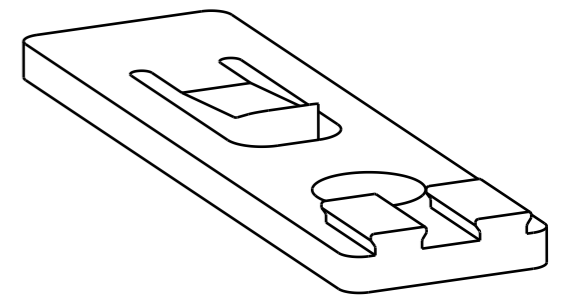
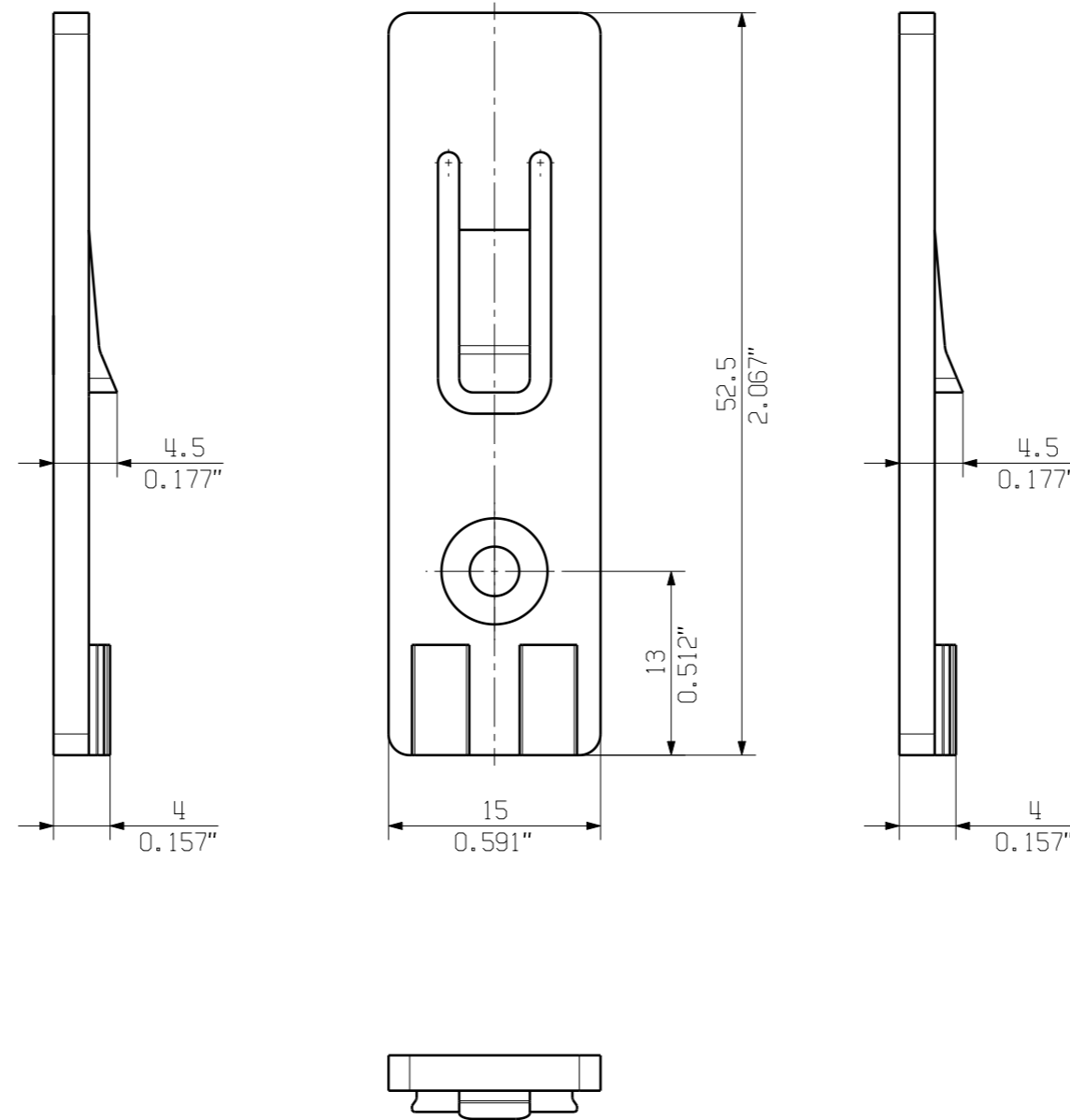
ALLGEMEINGUELTIGE KUNDENZEICHNUNG, AKTUELLER STAND NUR AUF ANFRAGE
 GENERAL CUSTOMER DRAWING, TOPICAL VERSION ONLY IF REQUIRED

DIE DEUTSCHE VERSION IST VERBINDLICH
 THE GERMAN VERSION IS BINDING

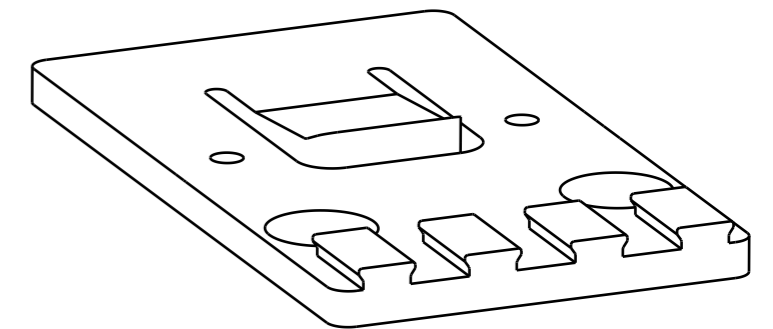
SHOWN: ARPL BV/SV7.62HP/4AN



SHOWN: ARPL BV/SV7.62HP/2AN



ARPL BV/SV7.62HP/2AN



ARPL BV/SV7.62HP/4AN

PA 66/6 V0 30 GF GR	BV/SV7.62HP/4AN ARPL GR	1937580000
PA 66/6 V0 30 GF GR	BV/SV7.62HP/2AN ARPL GR	1937570000
WERKSTOFF MATERIAL	TYP PART NAME	BEST.-NR. CAT.NO.

GENERAL TOLERANCE: DIN ISO 2768-mK		84373/5 29.09.15 01		CAT.NO.: .		
RoHS COMPLIANT		MAX. NRN./NOS.				
		MODIFICATION		3 42840 05 DRAWING NO. ISSUE NO. SHEET 01 OF 01 SHEETS		
SCALE: 2/1		DATE	NAME	BV/SV7.62HP... ARPL ADAPTERPLATTE ADAPTER PLATE		
SUPERSEDES: .		DRAWN	12.12.2005			NEUMANN_G
		CHECKED	02.10.2015			LANG_T
		APPROVED		LANG_T	PRODUCT FILE: SV/BVZ 7.62 HP 7340	

WEITERGABE SOWIE Vervielfaeltigung dieses Dokuments, Verwertung und Mitteilung seines Inhalts sind verboten, soweit nicht ausdruuecklich gestattet.
 ZUWIDERHANDLUNGEN VERPFLICHTEN ZU SCHADENERSATZ. ALLE RECHTE FUER DEN FALL DER PATENT-, GEBRAUCHSMUSTER- ODER GESCHMACKSMUSTEREINTRAGUNG VORBEHALTEN.
 THE REPRODUCTION, DISTRIBUTION AND UTILIZATION OF THIS DOCUMENT AS WELL AS THE COMMUNICATION OF ITS CONTENTS TO OTHERS WITHOUT EXPLICIT AUTHORIZATION IS PROHIBITED.
 OFFENDERS WILL BE HELD LIABLE FOR THE PAYMENT OF DAMAGES. WEIDMUELLER EXCLUSIVELY RESERVES THE RIGHT TO FILE FOR PATENTS, UTILITY MODELS OR DESIGNS.
 © WEIDMUELLER INTERFACE GmbH & Co.KG