

SOL-SC-1ST-0-DC-4MPPT-1000SE - String combiner box (SCB)



2404842

<https://www.phoenixcontact.com/pc/products/2404842>

Please be informed that the data shown in this PDF document is generated from our online catalog. Please find the complete data in the user documentation. Our general terms of use for downloads are valid.



String combiner box for photovoltaic systems up to 1000 V DC for connecting 4x 1 string. With surge protection (type 1/2) and Push-in connection for the input and output side.

Product description

The Solarline string combiner boxes (SCBs) are used in both small rooftop systems and large ground-mounted systems. The main tasks of the SCBs are the surge protection of the PV system, collecting strings (if necessary), and looping through the protective equipotential bonding conductor for the local equipotential bonding.

Further functions are optional and depend on the equipment.

Examples of optional functions include protecting the strings with string fuses and disconnecting the strings via DC switch disconnectors or DC fire department switches.

You can determine the full scope of functions of the SCB from its item designation (see type key in the SCB packing slip, which can be downloaded in the "Downloads" area).

Your advantages

- Fast installation and startup
- Standard-compliant switchgear and controlgear assembly, thanks to use of DIN EN 61439
- Large portfolio of string combiner boxes in stock
- Application-oriented consultation

Commercial data

Item number	2404842
Packing unit	1 pc
Minimum order quantity	1 pc
Product key	DTHTAA
GTIN	4055626457178
Weight per piece (including packing)	4,584 g
Weight per piece (excluding packing)	4,584 g
Customs tariff number	85363030
Country of origin	DE

SOL-SC-1ST-0-DC-4MPPT-1000SE - String combiner box (SCB)



2404842

<https://www.phoenixcontact.com/pc/products/2404842>

Technical data

Product properties

Product type	String combiner box (SCB)
--------------	---------------------------

Insulation characteristics

Protection class	II
------------------	----

Electrical properties

General

MPP voltage U_N	max. 1000 V DC
Non-load voltage U_{OC}	max. 1100 V DC
Current per string I_{max}	max. 40 A
Total current MPP tracker	max. 40 A

Surge protection

EN type	T1
IEC test classification	T1
Protection level U_p	≤ 3.5 kV
Total discharge current I_{total} (10/350) μ s	5 kA
Total discharge current I_{total} (8/20) μ s	40 kA

Input data

DC

Number of inputs: Strings	1 (per MPP tracker)
Number of supported MPP trackers	4

Output data

DC

Number of outputs: MPP tracker	4
Number of outputs: \pm	1 (per MPP tracker)

Connection data

DC input

Type of cable entry	Cable gland
Connection method	Push-in connection
Cable cross section	2.5 mm ² ... 6 mm ²
External cable diameter	3 mm ... 6.5 mm

Protective bonding and protective grounding conductor

Type of cable entry	Cable gland
Connection method	Screw connection

SOL-SC-1ST-0-DC-4MPPT-1000SE - String combiner box (SCB)



2404842

<https://www.phoenixcontact.com/pc/products/2404842>

Cable cross section	2x 16 mm ²
External cable diameter	2x 6 mm ... 12 mm

DC output

Type of cable entry	Cable gland
Connection method	Push-in connection
Cable cross section	2.5 mm ² ... 6 mm ²
External cable diameter	3 mm ... 6.5 mm

Dimensions

Housing

Width	361 mm
Height	254 mm
Depth	111 mm

Material specifications

Material Housing	Polycarbonate
Material Cover/door	Polycarbonate (transparent)

Environmental and real-life conditions

Ambient conditions

Degree of protection	IP65
Ambient temperature (operation)	-20 °C ... 55 °C

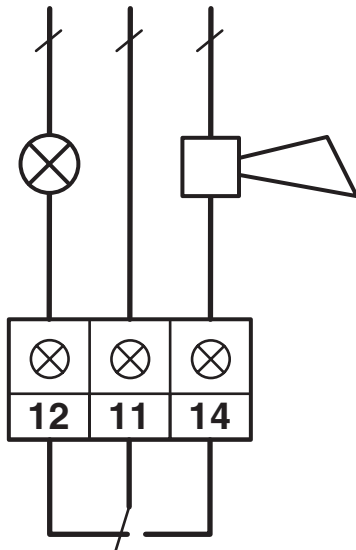
SOL-SC-1ST-0-DC-4MPPT-1000SE - String combiner box (SCB)



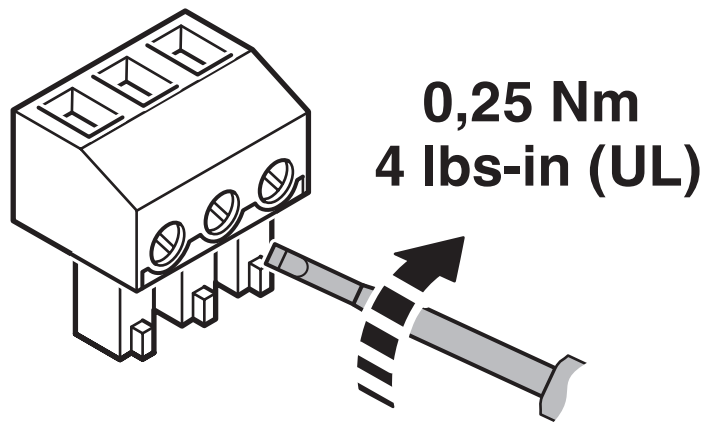
2404842

<https://www.phoenixcontact.com/pc/products/2404842>

Drawings



Schematic diagram



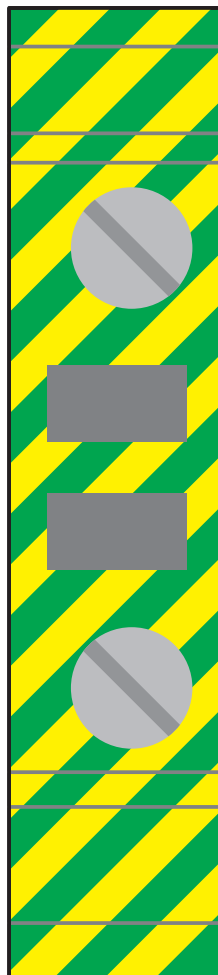
Connection of the remote indication contact on the surge protection

SOL-SC-1ST-0-DC-4MPPT-1000SE - String combiner box (SCB)

2404842

<https://www.phoenixcontact.com/pc/products/2404842>

Schematic diagram



Connection of the protective equipotential bonding conductor

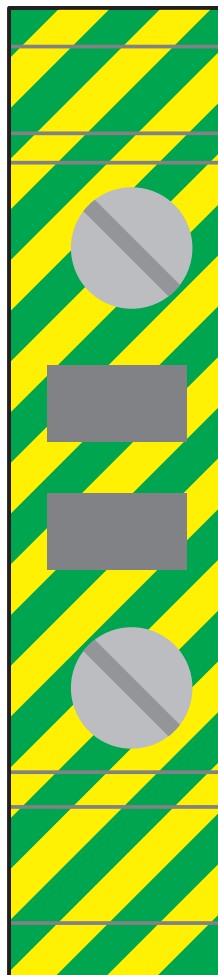
SOL-SC-1ST-0-DC-4MPPT-1000SE - String combiner box (SCB)



2404842

<https://www.phoenixcontact.com/pc/products/2404842>

Schematic diagram



Connection of the protective grounding conductor

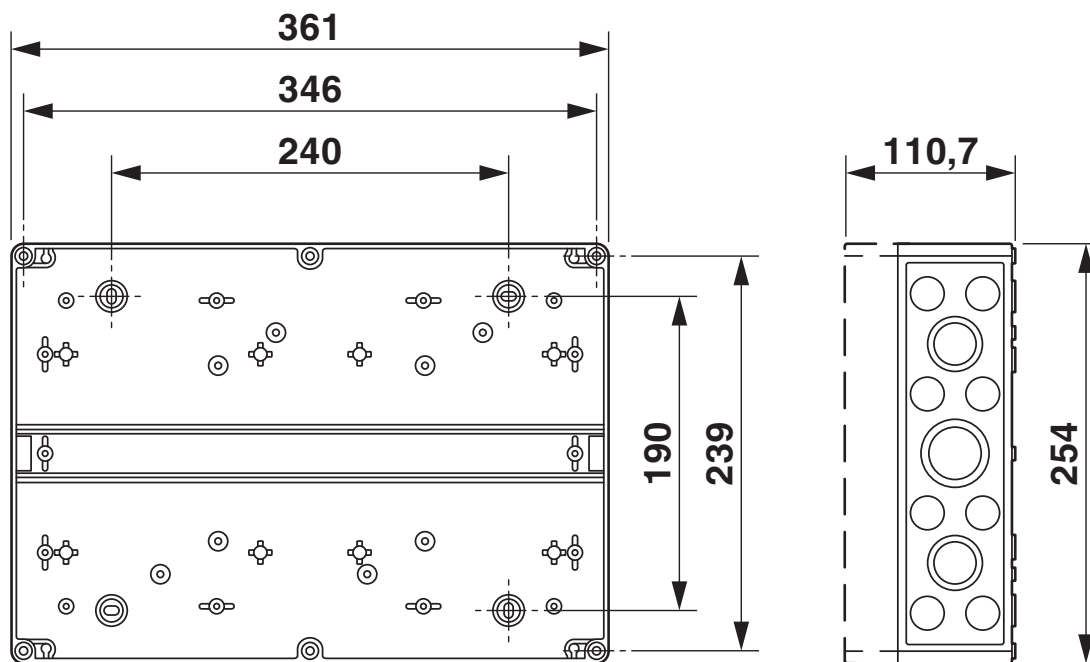
SOL-SC-1ST-0-DC-4MPPT-1000SE - String combiner box (SCB)



2404842

<https://www.phoenixcontact.com/pc/products/2404842>

Dimensional drawing



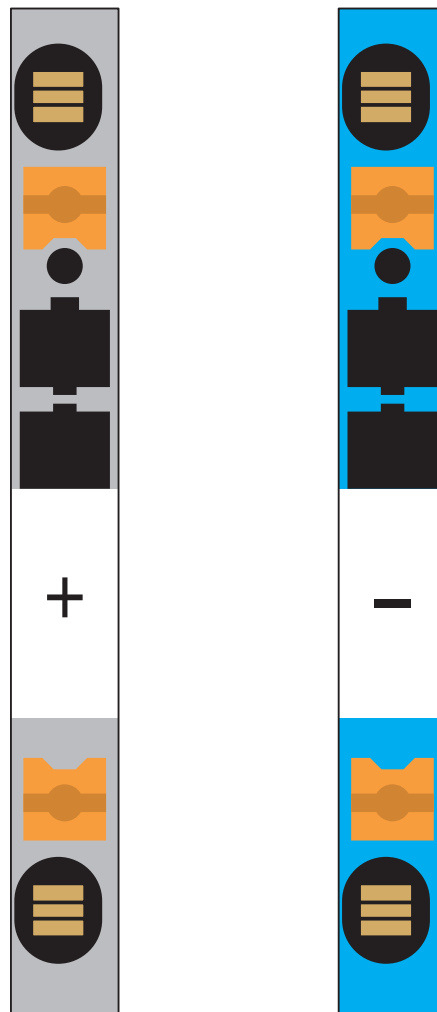
Housing dimensions

SOL-SC-1ST-0-DC-4MPPT-1000SE - String combiner box (SCB)

2404842

<https://www.phoenixcontact.com/pc/products/2404842>

Schematic diagram



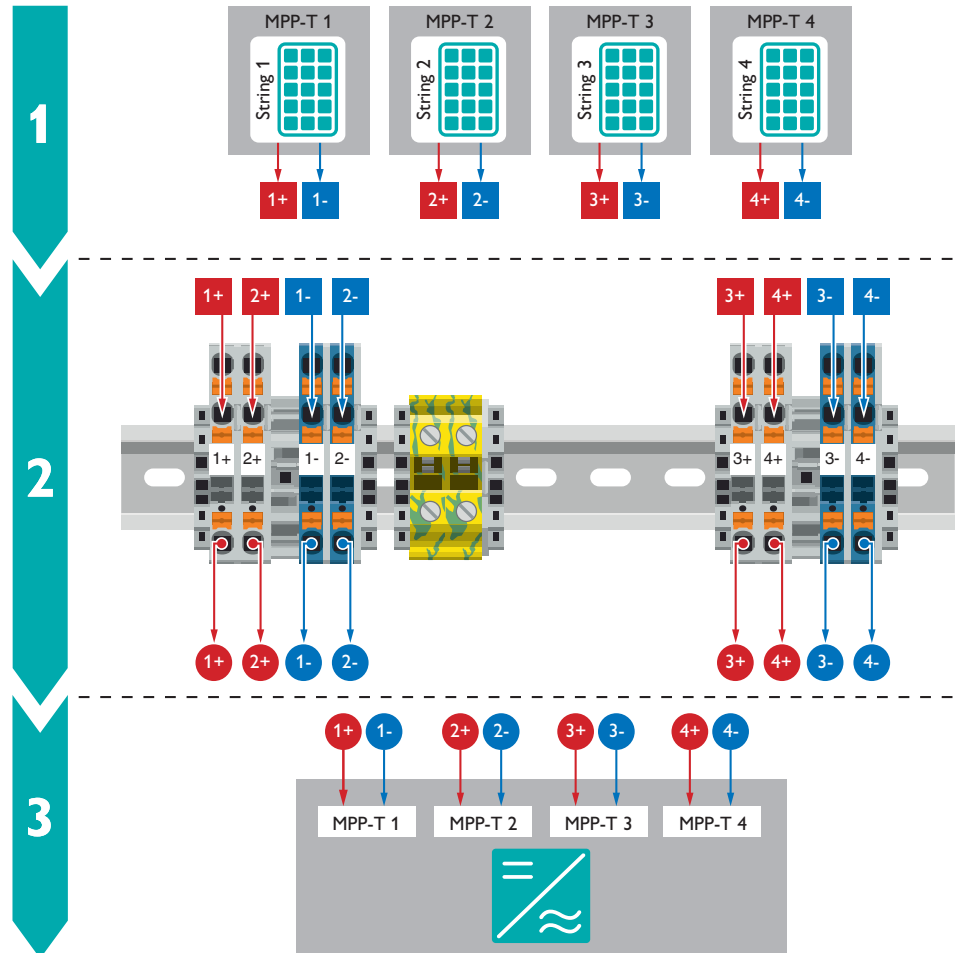
Connection of the PV strings, as well as connection to the inverter

SOL-SC-1ST-0-DC-4MPPT-1000SE - String combiner box (SCB)

2404842

<https://www.phoenixcontact.com/pc/products/2404842>

Connection diagram



Schematic application drawing

SOL-SC-1ST-0-DC-4MPPT-1000SE - String combiner box (SCB)



2404842

<https://www.phoenixcontact.com/pc/products/2404842>

Classifications

ECLASS

ECLASS-11.0	27142422
ECLASS-13.0	27171490

ETIM

ETIM 8.0	EC000268
----------	----------

UNSPSC

UNSPSC 21.0	39121100
-------------	----------

SOL-SC-1ST-0-DC-4MPPT-1000SE - String combiner box (SCB)



2404842

<https://www.phoenixcontact.com/pc/products/2404842>

Accessories

SOL-WR-3625-AISI304 - Weather protection cover

1579291

<https://www.phoenixcontact.com/pc/products/1579291>



Canopy to protect the string combiner box (SCB) from environmental influences when installed outdoors, made of stainless steel, with M8 grounding bolt on the back, incl. mounting material for SCB and grounding cable.

VAL-MS-T1/T2 1000DC-PV-ST - Type 1/2 surge protection plug

2801162

<https://www.phoenixcontact.com/pc/products/2801162>



Replacement plug for PV arrester combinations from the VAL-MS-T1/T2 1000DC-PV-... product range

SOL-SC-1ST-0-DC-4MPPT-1000SE - String combiner box (SCB)



2404842

<https://www.phoenixcontact.com/pc/products/2404842>

TOOL-KIT SOLAR - Tool set

1212071

<https://www.phoenixcontact.com/pc/products/1212071>



Tool case, equipped with: crimping pliers, pressing dies for MC3, MC4 and SOLARLOK connectors, stripping tool for commercially available solar cables, stripping tool for SUNCLIX, VDE cable cutter, VDE screwdriver: PH1, PH2, 0.6x3.5 and 0.8x4.0 slots.

Phoenix Contact 2023 © - all rights reserved
<https://www.phoenixcontact.com>

PHOENIX CONTACT GmbH & Co. KG
Flachmarktstraße 8
D-32825 Blomberg
+49 (0) 5235-3 00
info@phoenixcontact.com